



MORE INFORMATION



MANUALS

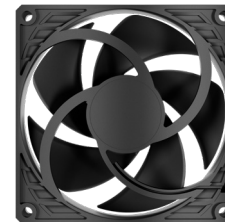


All materials are compatible with RoHS requirements.



P9 PWM PST CO

92 mm PWM Fan with Cable Splitter for Continuous Operation



Specifications P9 PWM PST CO

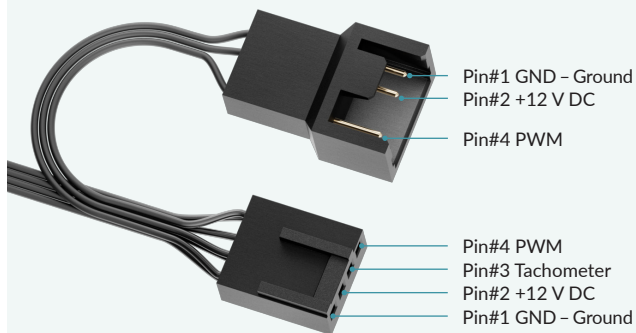
General Specifications

Warranty	6 Years
Operating Ambient Temperature	0-40 °C
Dimensions	92 (L) x 92 (W) x 25 (H) mm
Net Weight	105 g

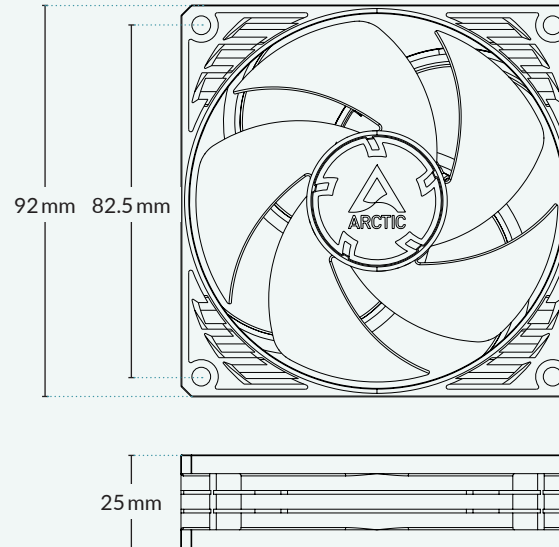
Fan Specifications

Fan Speed	200-3000 rpm (PWM controlled), 0 rpm below 5 % PWM
Airflow	38.83 cfm 65.97 m³/h
Statischer Druck	3.12 mmH ₂ O
Fan Bearing	Dual Ball Bearing
Typical Voltage	12 V DC
Start Up Voltage	5 V DC
Current	0.12 A
Cable Length	400 mm + 80 mm Daisy-Chain Cable
Connector	4-Pin Fan Plug + 4-Pin Socket

4-Pin Fan Plug + 4-Pin Socket



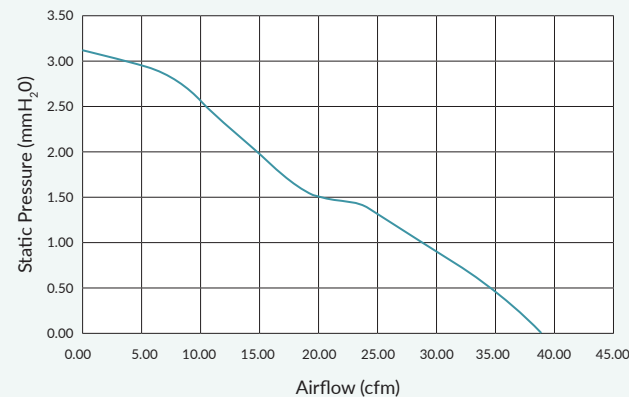
Dimensions



Shipping Information P9 PWM PST CO

Box Dimension	96 (L) x 96 (W) x 27 (H) mm
Gross Weight	124 g
SKU	ACFAN00299A
EAN	4895213704946
UPC	840033402613
Box Content	P9 PWM PST CO x1 Mounting Screws x4

P/Q Curve



PWM Control Curve

